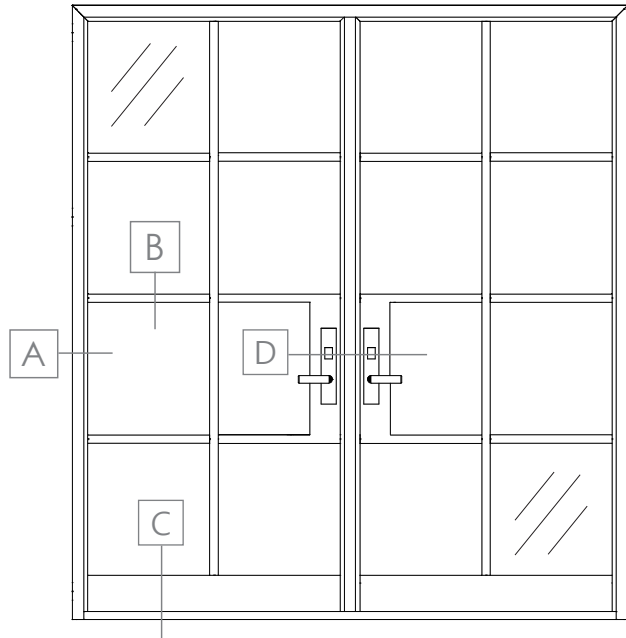
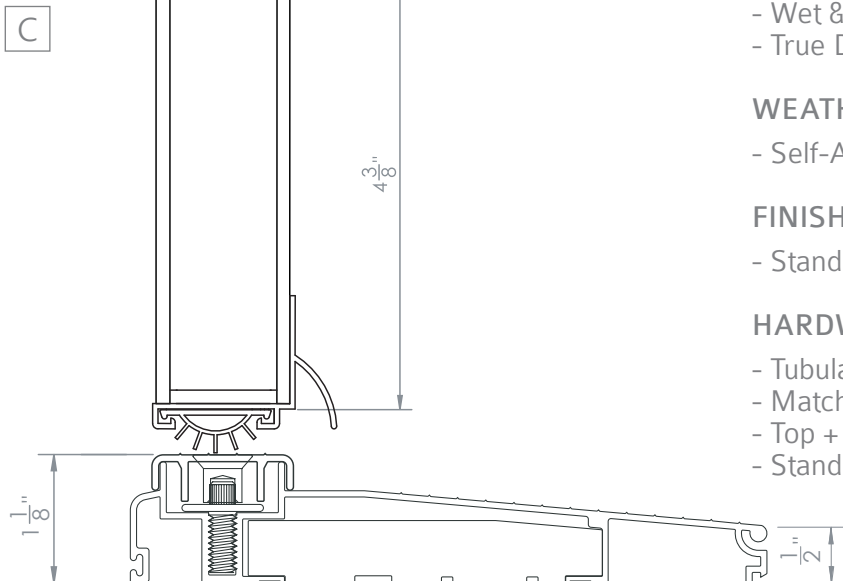
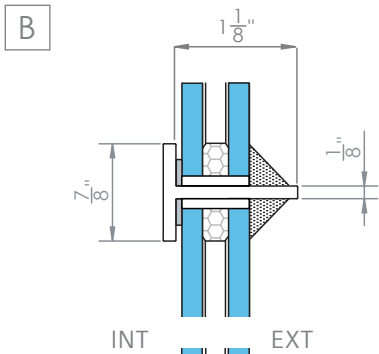
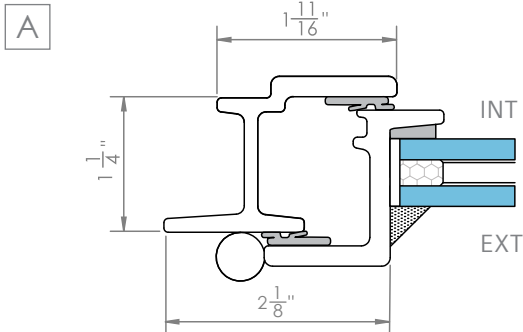




HISTORIC SERIES | EXTERIOR DOUBLE DOOR



SPECIFICATIONS

HOT ROLLED STEEL

- Frame Depth: 1-1/4"
- Muntin Face: 7/8"
- Muntin Depth: 1-1/8"
- Outswing / Inswing
- 3" weld on steel bullet hinge with brass washer

GLAZING

- Clear Safety Glass
 - 1/2" insulated, with black spacer
 - 1/4" single pane
- Wet & Mechanical Glaze Option
- True Divided Lites

WEATHER SEAL

- Self-Adhesive, Non-shrinking Gasketing

FINISH

- Standard Black

HARDWARE

- Tubular Passage or Privacy Lever Set
- Matching Dummy Set
- Top + Bottom Flush Bolts on Passive Door
- Standard 2-3/4" backset

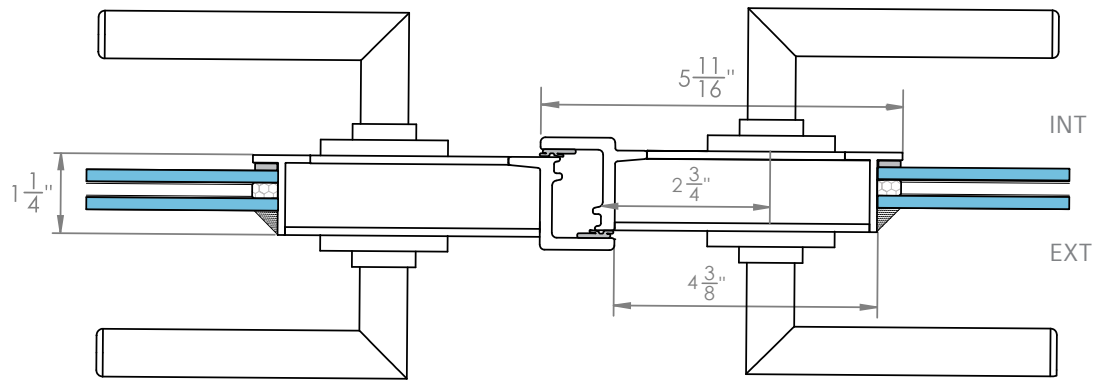
WELLBORN + WRIGHT

804.329.0079 wellbornwright.com Updated Sept. 2020



HISTORIC SERIES | EXTERIOR DOUBLE DOOR

D



WELLBORN + WRIGHT

804.329.0079 wellbornwright.com Updated Sept. 2020

THE INFORMATION CONTAINED IN THIS DRAWING IS THE SOLE PROPERTY OF WELLBORN+WRIGHT. ANY REPRODUCTION IN PART OR AS A WHOLE WITHOUT WRITTEN PERMISSION OF WELLBORN+WRIGHT IS PROHIBITED.