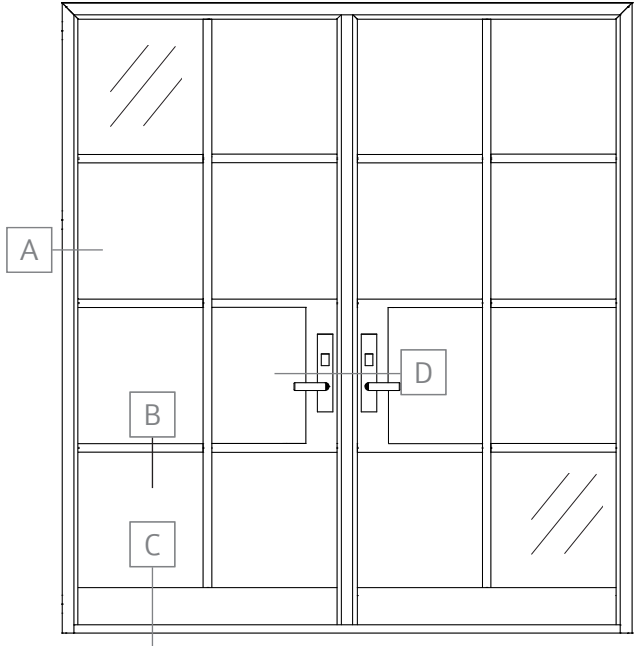
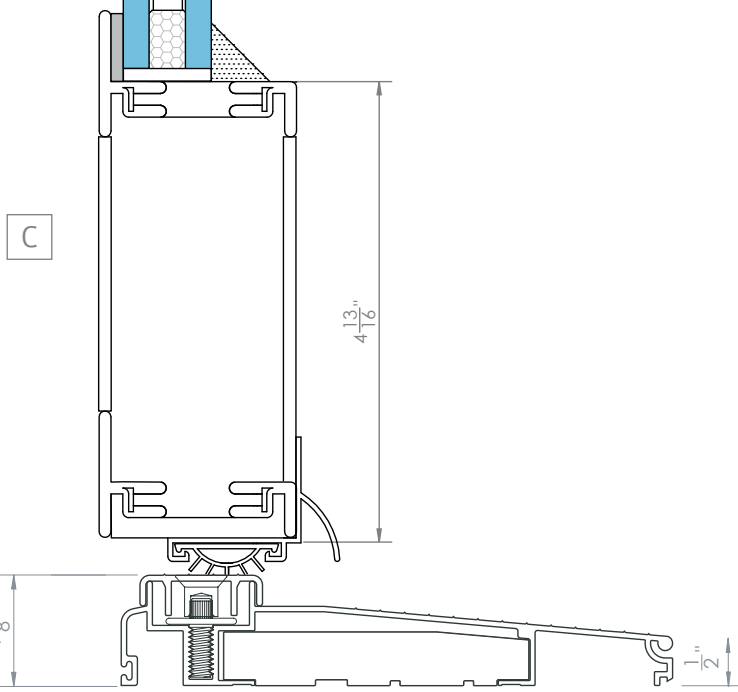
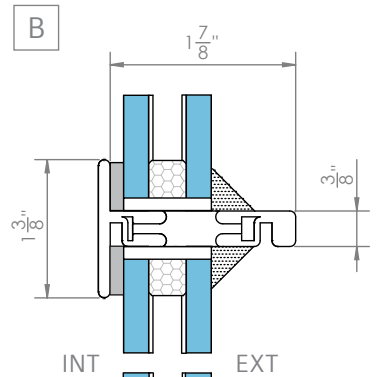
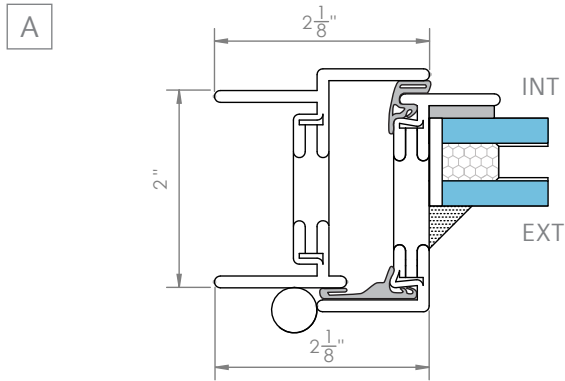




THERMALLY BROKEN SERIES | EXTERIOR DOUBLE DOOR



SPECIFICATIONS

COLD ROLLED GALVANIZED STEEL WITH POLYURETHANE ISOLATOR

- Frame Depth: 2"
- Muntin Face: 1-3/8"
- Muntin Depth: 1-7/8"
- Outswing / Inswing
- 3" weld on steel bullet hinge with brass washer

GLAZING

- 7/8" Clear Safety IGU and 1-5/16" Clear Safety IGU
- Black Spacer
- Wet & Mechanical Glaze Option
- True Divided Lites
- Simulated Divided Lites

WEATHER SEAL

- Mechanically Fixed Rebate Gaskets

FINISH

- Standard Black

HARDWARE

- Mortise Style Lever Set
- Top + Bottom Flush Bolts on Passive Door
- 2-3/4" Standard Backset

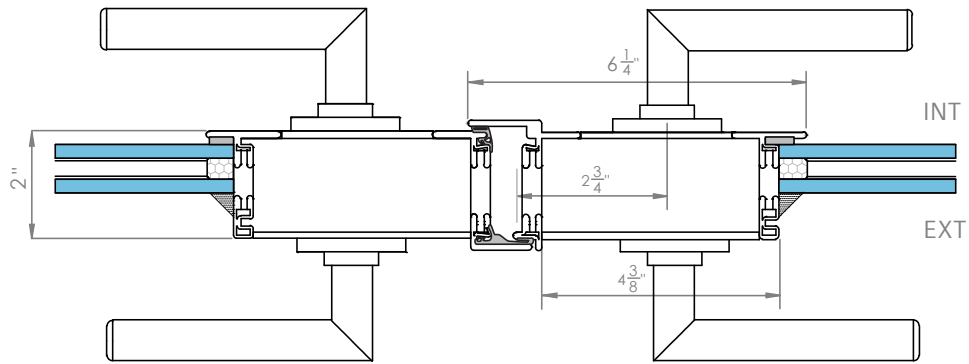
WELLBORN + WRIGHT

804.329.0079 wellbornwright.com Updated Sept. 2020



THERMALLY BROKEN SERIES | EXTERIOR DOUBLE DOOR

D



WELLBORN + WRIGHT

804.329.0079 wellbornwright.com Updated Sept. 2020

THE INFORMATION CONTAINED IN THIS DRAWING IS THE SOLE PROPERTY OF WELLBORN+WRIGHT. ANY REPRODUCTION IN PART OR AS A WHOLE WITHOUT WRITTEN PERMISSION OF WELLBORN+WRIGHT IS PROHIBITED.