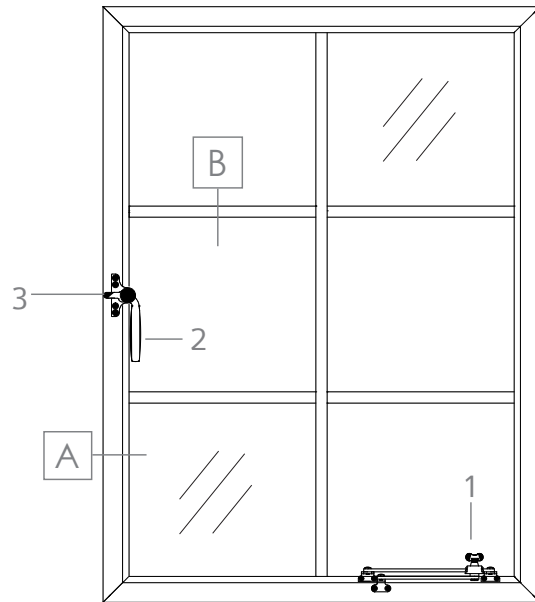
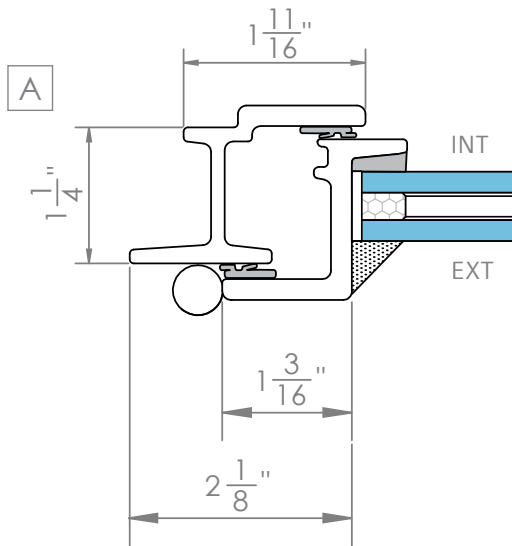




HISTORIC SERIES | CASEMENT WINDOW



SPECIFICATIONS

HOT ROLLED STEEL

- Frame Depth: 1-1/4"
- Muntin Face: 7/8"
- Muntin Depth: 1-1/8"
- Outswing
- 3" weld on steel bullet hinge with brass washer

GLAZING

- Clear Safety Glass
 - 1/2" insulated, with black spacer
 - 1/4" single pane
- Wet & Mechanical Glaze Option
- True Divided Lites

WEATHER SEAL

- Self-Adhesive, Non-shrinking Gasketing

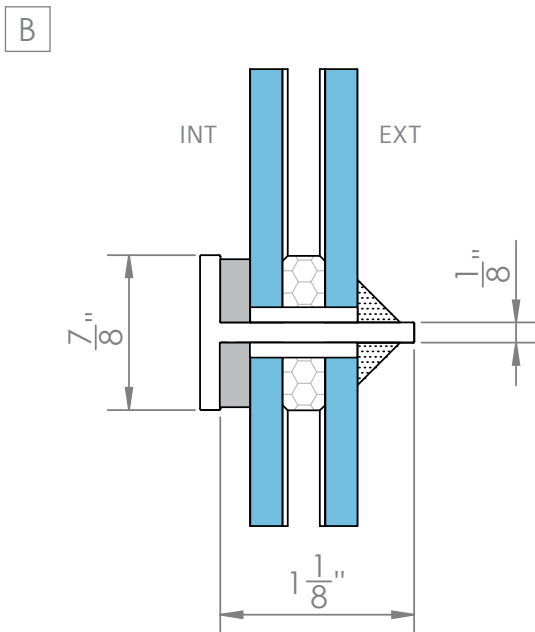
FINISH

- Standard Black

HARDWARE

- 1 - Slide Stay
- 2 - Locking Handle
- 3 - Brass Wedge
- 4 - Connecting Rod*

* Where applicable



WELLBORN + WRIGHT

804.329.0079 wellbornwright.com Updated Sept. 2020