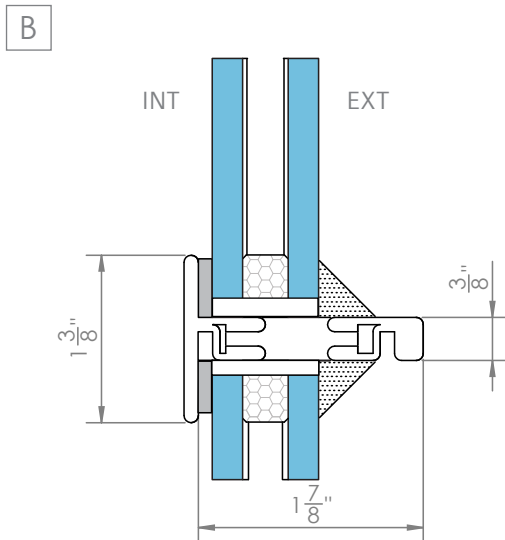
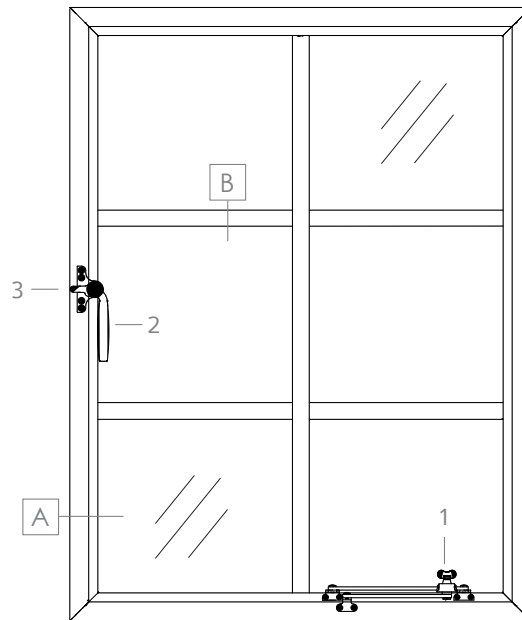
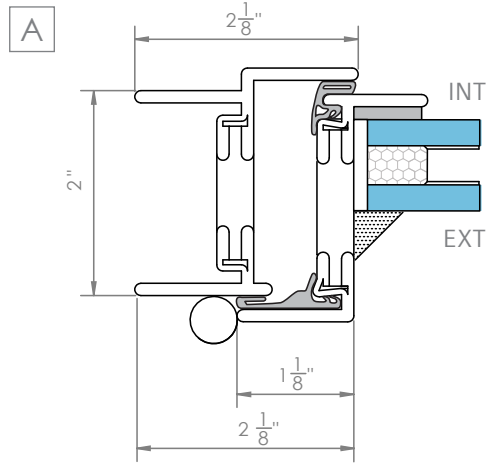




THERMALLY BROKEN SERIES | CASEMENT WINDOW



SPECIFICATIONS

COLD ROLLED GALVANIZED STEEL WITH POLYURETHANE ISOLATOR

- Frame Depth: 2"
- Muntin Face: 1-3/8"
- Muntin Depth: 1-7/8"
- Outswing
- 3" weld on steel bullet hinge with brass washer

GLAZING

- 7/8" Clear Safety IGU and 1-5/16" Clear Safety IGU
- Black Spacer
- Wet & Mechanical Glaze Option
- True Divided Lites
- Simulated Divided Lites

WEATHER SEAL

- Mechanically Fixed Rebate Gaskets

FINISH

- Standard Black

HARDWARE

- 1 - Slide Stay
- 2 - Locking Handle
- 3 - Brass Wedge
- 4 - Connecting Rod*

* Where applicable

WELLBORN + WRIGHT

804.329.0079 wellbornwright.com Updated Sept. 2020