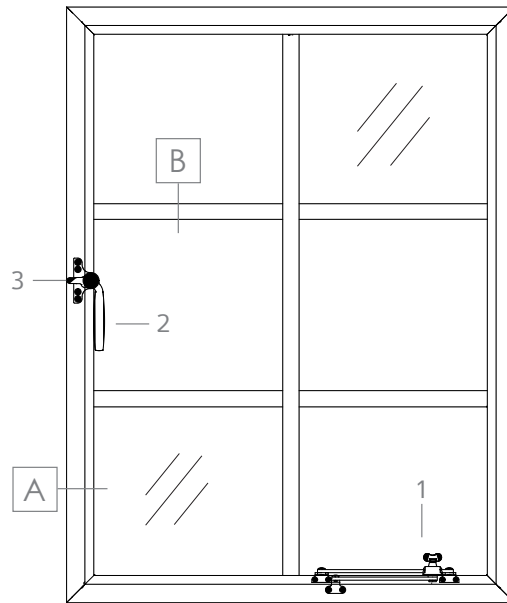
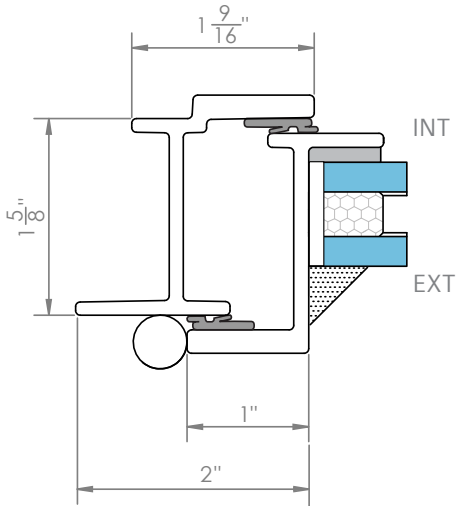


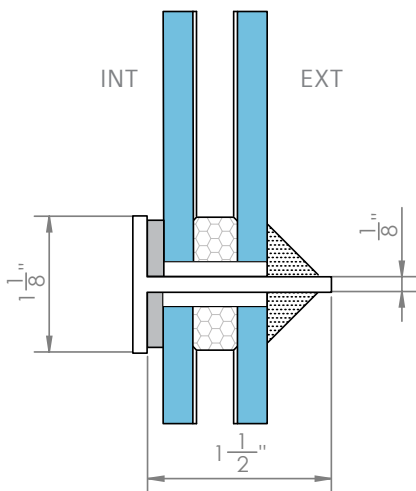


TRADITIONAL SERIES | CASEMENT WINDOW

A



B



SPECIFICATIONS

HOT ROLLED STEEL

- Frame Depth: 1-5/8"
- Muntin Face: 1-1/8"
- Muntin Depth: 1-1/2"
- Outswing
- 3" weld on steel bullet hinge with brass washer

GLAZING

- 7/8" Clear Safety Glass, Insulated
- Black Spacer
- Exterior Wet Glaze
- True Divided Lites

WEATHER SEAL

- Self-Adhesive, Non-shrinking Gasketing

FINISH

- Standard Black

HARDWARE

- 1 - Slide Stay
- 2 - Locking Handle
- 3 - Brass Wedge
- 4 - Connecting Rod*

* Where applicable

WELLBORN + WRIGHT

804.329.0079 wellbornwright.com Updated Sept. 2020