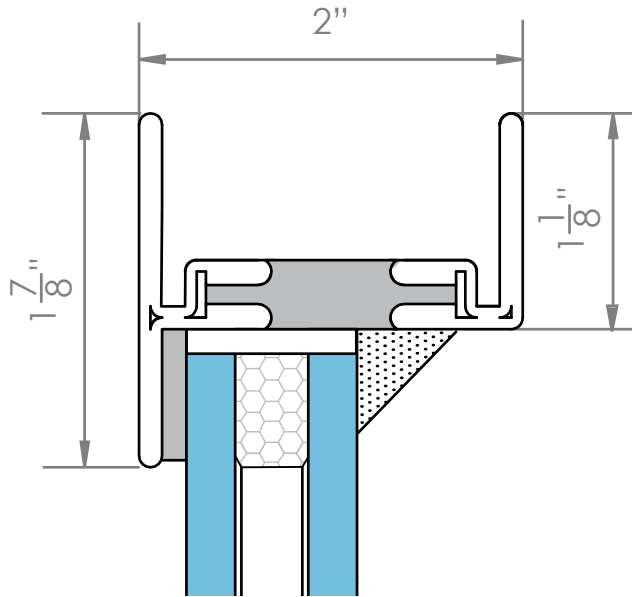




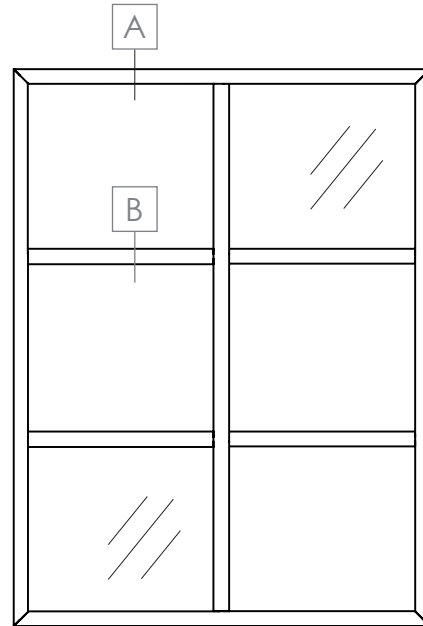
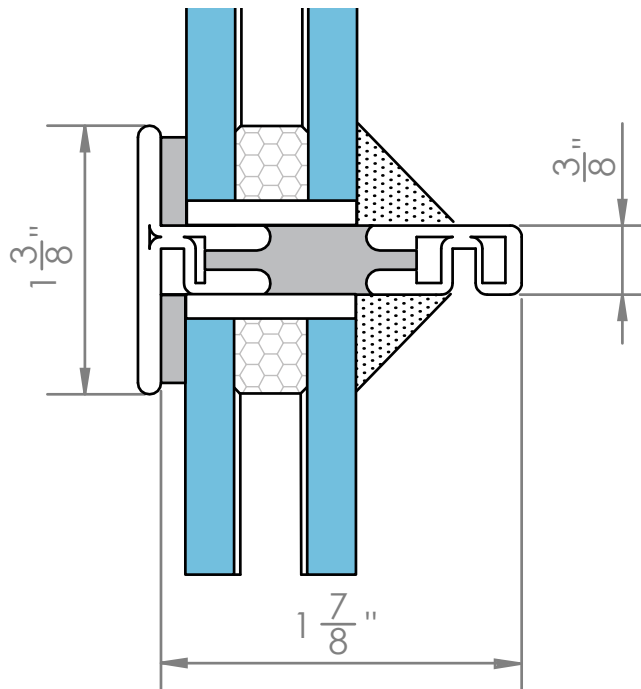
THERMALLY BROKEN SERIES | FIXED WINDOW

A



INT EXT

B



SPECIFICATIONS

COLD ROLLED GALVANIZED STEEL WITH POLYURETHANE ISOLATOR

- Frame Depth: 2"
- Muntin Face: 1-3/8"
- Muntin Depth: 1 7/8"

GLAZING

- 7/8" Clear Safety IGU and 1-5/16" Clear Safety IGU
- Black Spacer
- Wet & Mechanical Glaze Option
- True Divided Lites
- Simulated Divided Lites

FINISH

- Standard Black

WELLBORN + WRIGHT

804.329.0079 wellbornwright.com Updated Sept. 2020